

## FRIGID-X™ MINI SPOT COOLER

Cool small parts and tooling with a compact spot cooler with no moving parts.

### WHAT ARE THEY - REASONS TO USE

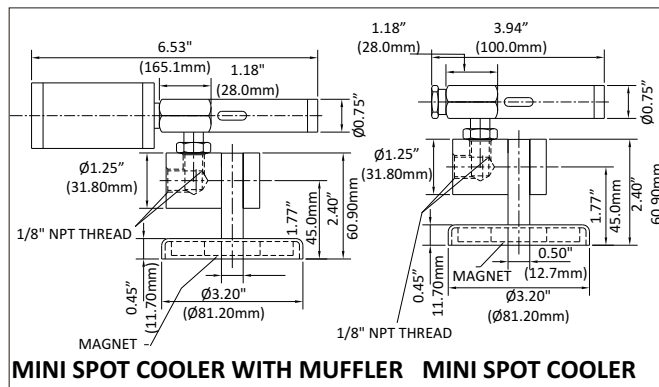
The Frigid-X™ Mini Spot Cooler is a low cost and maintenance free system which utilizes a vortex tube to produce cold air at one end. It is quiet and compact.

Designed for small parts, the Frigid-X™ Mini Spot Cooler produces a stream of 15 to 20 degree F (minus 9.5 to 7 degree C) of cold air to prevent heat buildup depending in inlet air temperature. It can improve tolerances in machining of small critical parts and increase production rates.

Cold air is directed using the flexible tubing. A magnetic base is standard for portability and easy mounting of the mini spot cooler

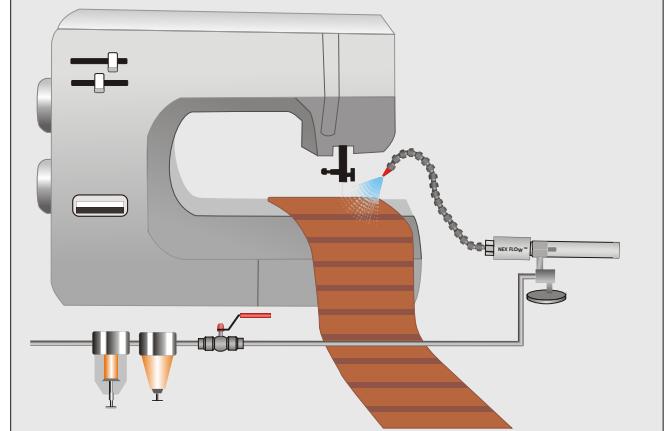
### APPLICATIONS:

- ▶ Needle cooling on sewing machines
- ▶ Cooling small blades
- ▶ Grinding lenses and small parts
- ▶ Cooling small tools



The Mini Spot Cooler utilizes a vortex tube to create one hot stream and one cold stream (see page 9). The cold air produced at the cold end is directed to the surface to be cooled using a flexible hose.

The Mini Spot Cooler is used in the cooling of needles on a sewing machine used to produce heavy materials for carpeting.



### FRIGID-X™ MINI SPOT COOLER

PART NO.	DESCRIPTION
56008F	Mini Frigid-X™ Cooler only (no muffler)
56108F	Mini Frigid-X™ Cooler only (with muffler)
57008F	Frigid-X™ Mini Spot Cooler System c/w cooler, magnetic base, single point hose kit
56008F	Frigi -X™ Mini Spot Cooler only options
90003	Filter with Manual Drain ¼ " NPT